

Flowrox™ Slurry knife gate valves

Series SKW (wafer), SKF (flanged) and SKH (high pressure)

Heavy duty slurry knife gate valves isolate flow, even in the most demanding process conditions. The complete valve is built around an ease-of-maintenance concept. The designs of Flowrox slurry knife gate valves are based on years of experience Flowrox has gained, providing reliable solutions for abrasive and corrosive process applications. They feature a load distribution ring that prevents over-compression and ensures tight sealing between the sleeve and the valve gate. The high pressure version includes the ring sleeve retainer.

The valve's universal tower design accommodates most actuator types, allowing the actuator's interchangeability. The tower also ensures that the top plate, body and actuator are always aligned and the gate is in the right position. The valve body itself is a one-piece casting, eliminating the need for sealing between the body halves.

Flowrox SKF knife gate valves DN 900-1500 / 36"-60" use a new approach. Instead of a tower design, two actuator cylinders are positioned on the sides.



Benefits

- Cost-effective
- Reliable operation
- Long service intervals
- Trouble-free operation
- Small face-to-face dimension
- Easy installation
- Available in large size scale

Features

- One piece body, no leak risk
- Full bore, no flow restrictions
- Integrated load distribution ring, reliability in installation
- Reliable lubricated polyurethane secondary seal
- Bi-directional flow
- Removable bottom plate accommodates flushing ports, increased process safety

Sizes

DN 80-1500 / 3"-60"

- *Other DN on request

Working pressures

- Up to 20 bar / 300 psi

Pressure classes

- PN 4, PN 6, PN 10 and PN 20
- 60 psi, 90 psi, 150 psi and 300 psi

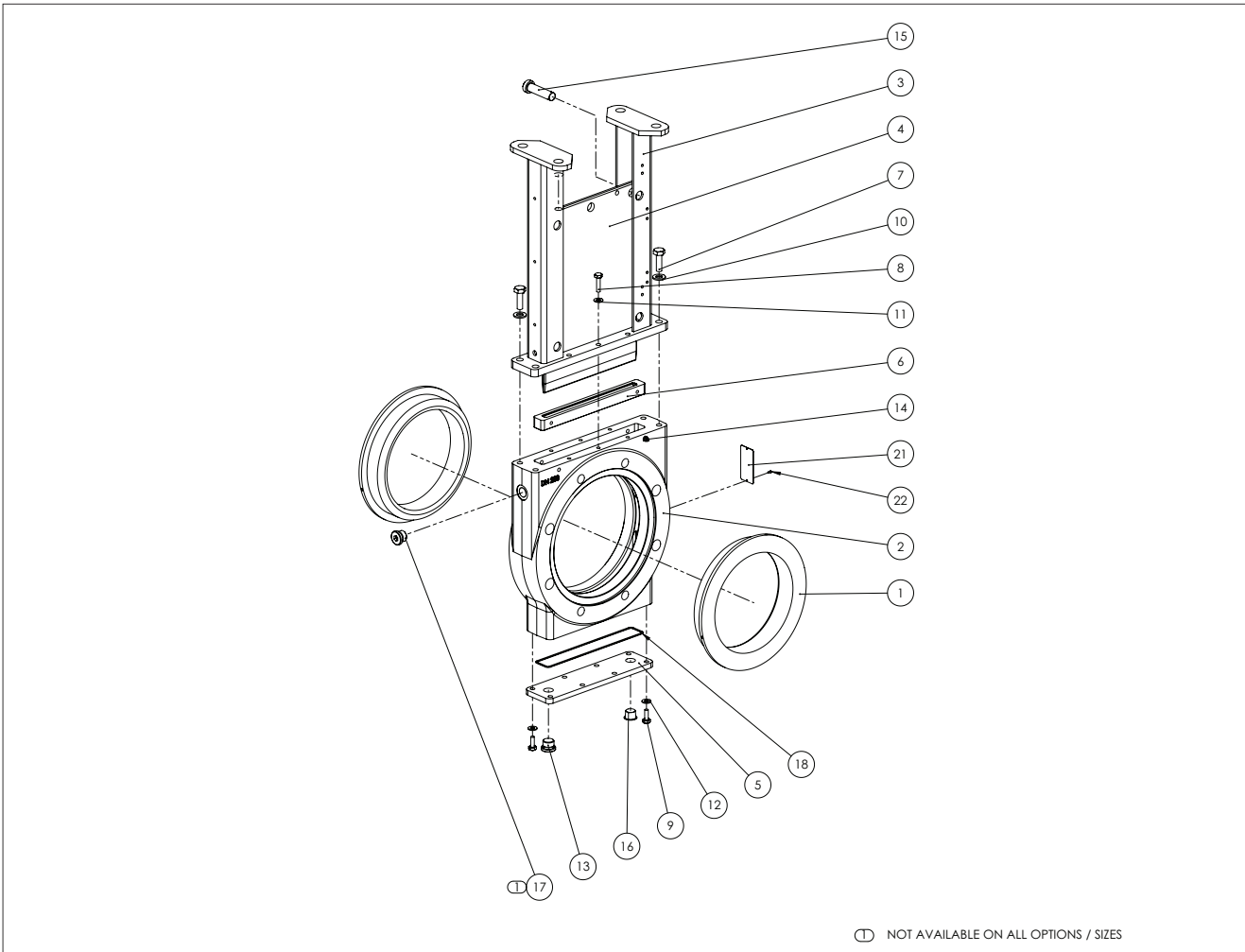
Materials

- 316 stainless steel
- Cast iron

Flange drillings

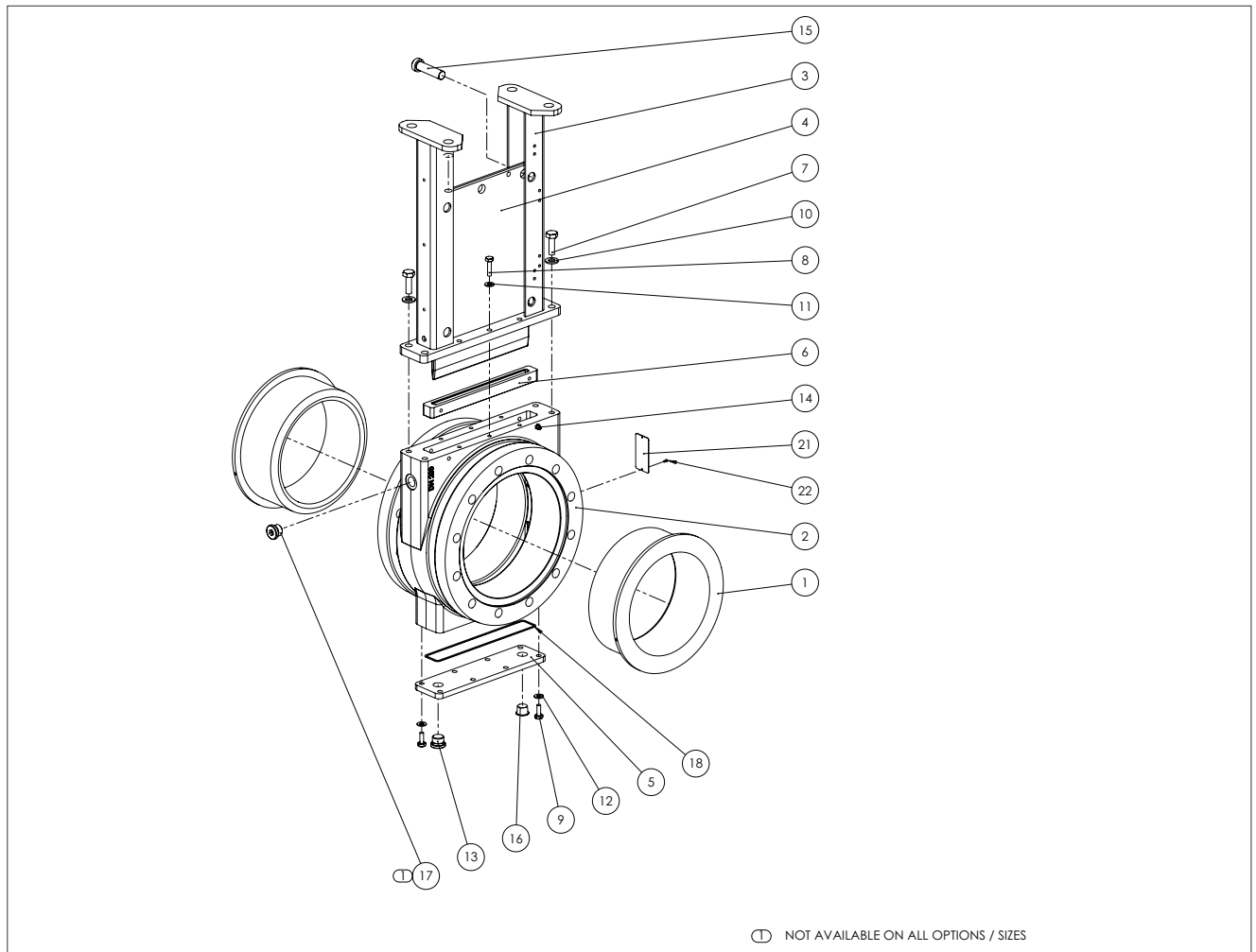
- DIN PN 10
- DIN PN 16
- DIN PN 25
- ASME B16.5 Class 150
- ASME B16.5 Class 300
- BS TABLE D
- AS TABLE D
- AS TABLE E
- JIS 10K
- JIS 16K

Exploded view and parts list, type SKW



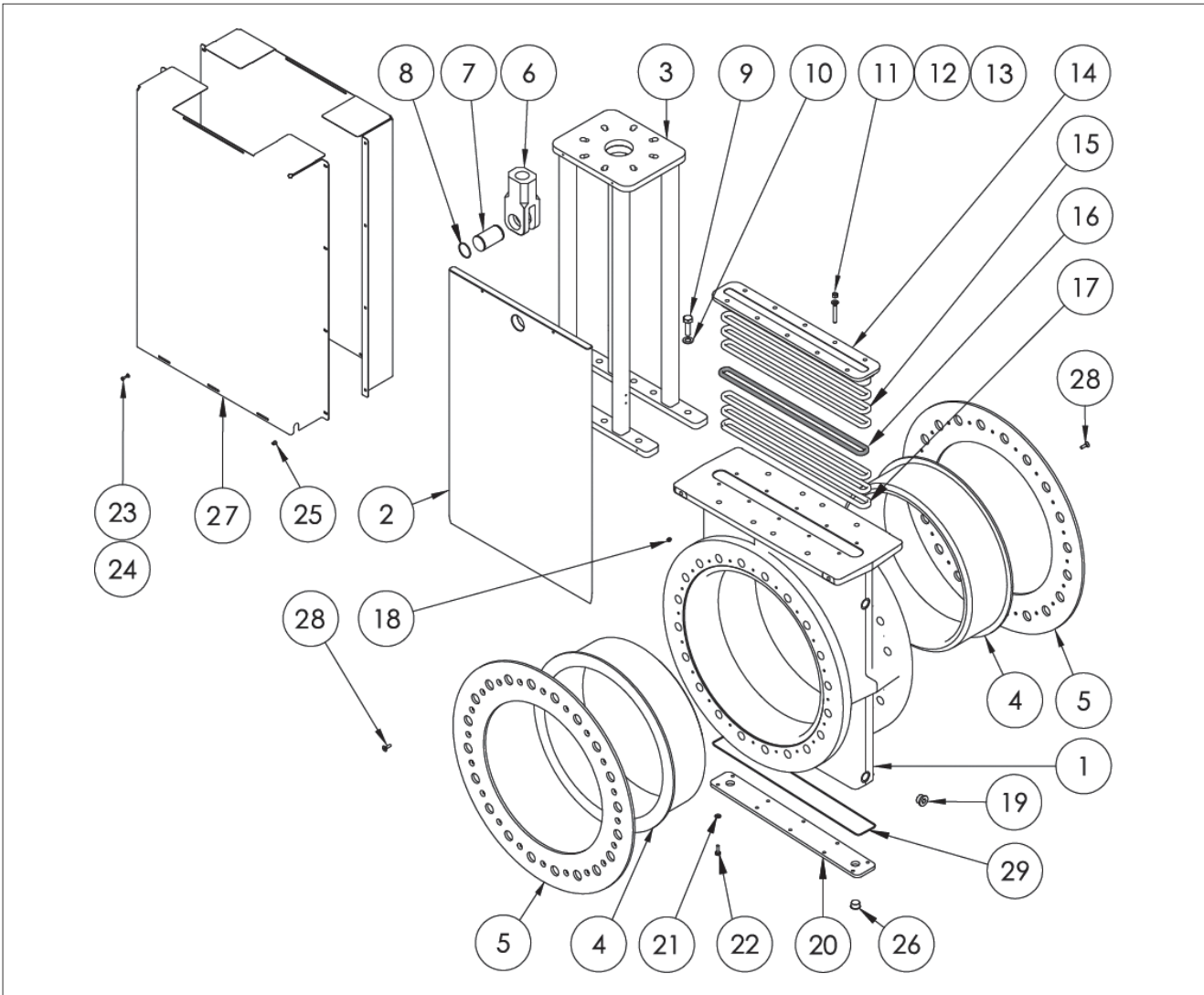
ITEM NO.	DESCRIPTION
1	RING SLEEVE
2	BODY
3	TOWER
4	GATE
5	BOTTOM PLATE
6	SECONDARY SEAL
7	HEX SCREW
8	HEX SCREW
9	HEX SCREW
10	WASHER
11	WASHER
12	WASHER
13	PLUG
14	GREASE NIPPLE
15	LOCKING PIN
16	PLUG
17	PLUG
18	SEALING STRIP
19	FERRULE (NOT SHOWN)
20	STEEL WIRE ROPE (NOT SHOWN)
21	TAG PLATE
22	HAMMERDRIVE SCREW

Exploded view and parts list, type SKF



1	RING SLEEVE
2	BODY
3	TOWER
4	GATE
5	BOTTOM PLATE
6	SECONDARY SEAL
7	HEX SCREW
8	HEX SCREW
9	HEX SCREW
10	WASHER
11	WASHER
12	WASHER
13	PLUG
14	GREASE NIPPLE
15	LOCKING PIN
16	PLUG
17	PLUG
18	SEALING STRIP
19	FERRULE (NOT SHOWN)
20	STEEL WIRE ROPE (NOT SHOWN)
21	TAG PLATE
22	HAMMERDRIVE SCREW

Exploded view of SKH



Part	Qty	Description	Part	Qty	Description
1	1	Valve body	16		Grease box
2	1	Gate	17		Gland bush
3	1	Tower	18	2	Grease nipple
4	2	Ring sleeve (recommended spare part)	19		Flushing plug
5	2	Ring sleeve retainer	20	1	Cover plate
6	1	Clevis	21		Washer
7	1	Clevis pin	22		Bolt
8	2	Clevis pin retaining ring	23		Bolt
9		Tower mounting bolt	24		Washer
10		Tower mounting washer	25		Nut
11		Gland retainer nut	26		Plug
12		Gland retainer stud bolt	27		Guard
13		Gland washer	28		Socket head countersunk bolt
14	1	Gland retainer	29		Body sealing
15		Gland packing seal			

Technical specifications

Type:

Full bore wafer (SKW), flanged (SKF) or high pressure (SKH) type knife gate valve.

Sizes:

SKW: Size DN50-600 / 2"-24"
 SKF: Size DN80-1500 / 3"-60"
 SKH: Size DN80-600 / 3"-24"

Temperature range:

0 °C...+100 °C / 32 °F...+212 °F

Pressures classes:

Series	Valve size, DN / inch	Pressure class, bar / psi
SKH	80-600 / 3-24	20 / 300
SKW	50-600 / 2-24	10 / 150
SKF	80-900 / 3-36	10 / 150
SKF	1000-1200 / 40-48	6 / 90
SKF	1300-1500 / 54-60	4 / 60

Suitable to be fitted between flanges acc. to:

DIN PN 10
 DIN PN 16
 DIN PN 25
 ASME B16.5 Class 150
 ASME B16.5 Class 300
 BS TABLE D
 AS TABLE D
 AS TABLE E
 JIS 10K
 JIS 16K

Valve tightness:

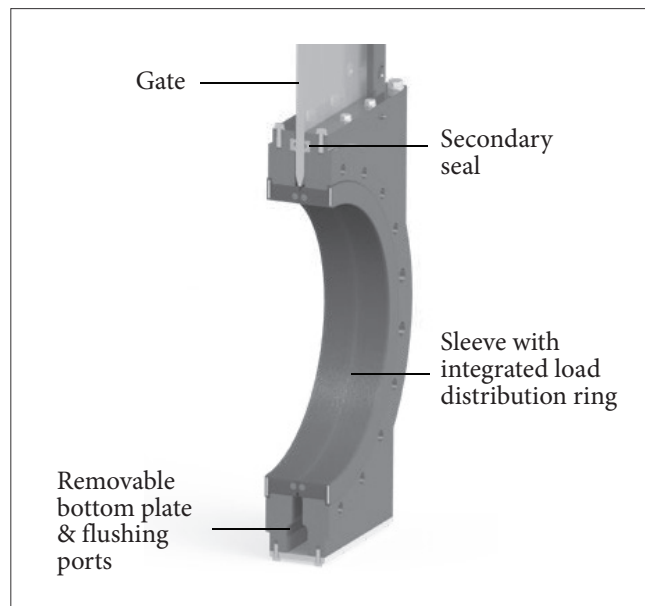
Manufacturers standard, zero leak
 Rate A

Construction materials:

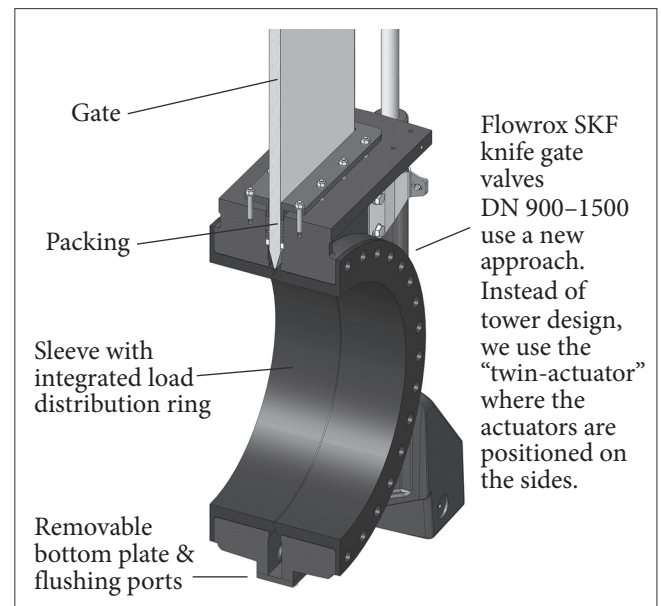
Body: Cast iron
 AISI 316 stainless steel
 Gate: AISI 316, Duplex 2205, Duplex 2101,
 17-4PH, ALLOY C-276, DUPLEX 2507,
 AISI 316L, AISI 904L
 Ring sleeve: NR
 NBR
 EPDM

Slurry knife gate body design

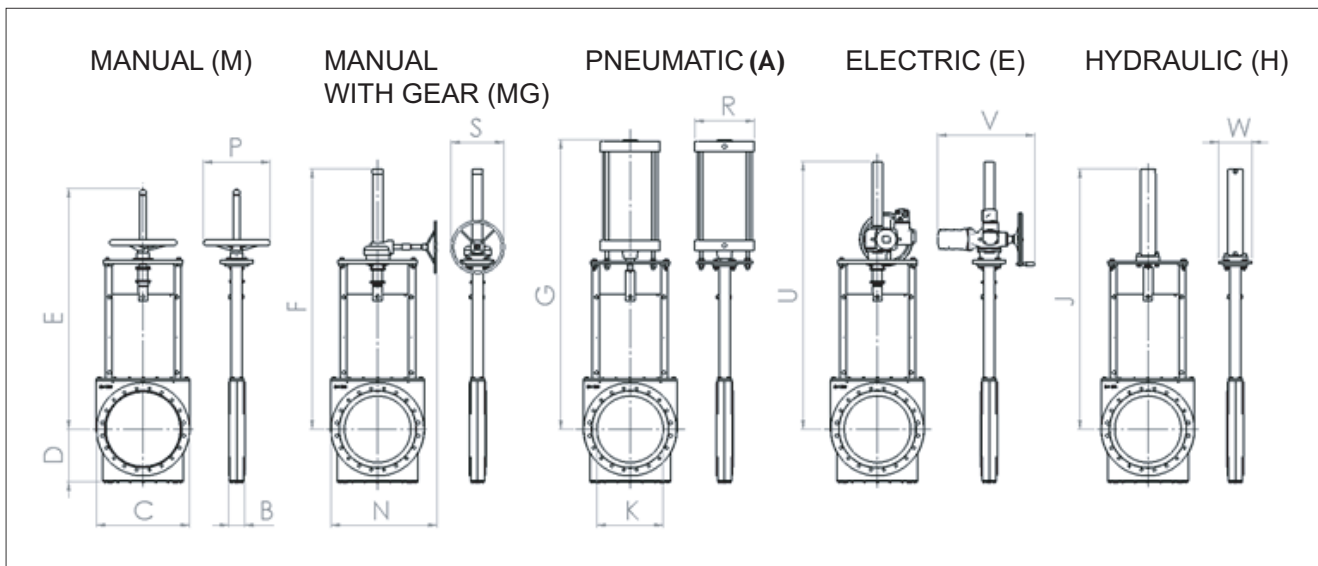
SKW wafer DN50-600 / 2"-24"
 SKF flanged DN80-600 / 3"-24"



SKF flanged 700-1500 / 28"-60"
 SKH high pressure 80-600 / 3"-24"



Dimensions, SKW valves



Valve size DN	Dimensions in mm																				T		
	B	B*	C	D	E		F	G	J	U	K	N	P	R	S	V	W	Weight (kg)					
					M	MG	A	H	E			MG	M	A	MG	E	H	M	MG	A		E	H
50	54	58	165	102	566	-	586	-	-	-	-	350	110	-	-	-	20	-	17	-	-	G1/2"	
80	57	61	200	112	628	-	683	-	739	80	-	350	110	-	513	-	24	-	22	48	-	G1/2"	
100	57	61	230	132	648	-	725	-	751	100	-	350	120	200	513	-	30	-	28	51	-	G1/2"	
150	64	68	285	157	921	-	972	-	879	150	-	350	176	200	513	150	42	-	49	64	-	G1/2"	
200	76	80	346	188	1006	1148	1115	988	972	200	427	350	220	200	513	150	61	87	75	83	59	G1/2"	
250	76	80	410	223	1133	1164	1316	1168	1150	250	459	350	284	200	537	180	82	-	113	104	-	G1/2"	
300	83	87	483	262	-	1380	1512	1278	1363	300	535	-	340	400	537	200	-	134	190	150	-	G 1"	
350	83	87	533	285	-	1455	1661	1521	1481	350	560	-	340	600	724	200	-	145	215	184	146	G 1"	
400	95	99	600	322	-	1574	1799	1700	1600	400	698	-	340	400	724	200	-	186	260	222	187	G 1"	
450	95	99	645	352	-	1875	2049	1831	1834	450	771	-	450	400	724	250	-	229	318	262	243	G 1"	
500	121	125	705	403	-	1962	2180	1962	2015	500	801	-	450	500	731	250	-	316	400	370	320	G 1"	
600	121	125	825	447	-	2250	2323	2291	2234	600	861	-	630	600	795	250	-	461	592	532	484	G 1"	

Valve size inch	Dimensions in inch																	T					
	B	B*	C	D	E		F	G	J	U	K	N	P	R	S	V	W		Weight in lbs				
					M	MG	A	H	E			MG	M	A	MG	E	H		M	MG	A	E	H
2	2.13	2.28	6.50	4.02	22.28	-	23.07	-	-	-	-	13.78	4.33	-	-	-	44	-	37	-	-	G1/2"	
3	2.24	2.40	7.87	4.41	24.72	-	26.89	-	29.09	3.15	-	13.78	4.33	-	20.20	-	53	-	48	106	-	G1/2"	
4	2.24	2.40	9.06	5.20	25.51	-	28.54	-	29.57	3.94	-	13.78	4.72	7.87	20.20	-	66	-	62	112	-	G1/2"	
6	2.52	2.68	11.22	6.18	36.26	-	38.27	-	34.61	5.91	-	13.78	6.93	7.87	20.20	5.91	92	-	108	141	-	G1/2"	
8	2.99	3.15	13.62	7.40	39.61	45.20	43.90	38.27	7.87	16.81	13.78	8.66	7.87	20.20	5.91	134	191	165	183	130	G1/2"		
10	2.99	3.15	16.14	8.78	44.61	45.83	51.81	45.98	45.28	9.84	18.07	13.78	11.18	7.87	21.14	7.09	180	-	249	229	-	G1/2"	
12	3.27	3.43	19.02	10.31	-	54.33	59.53	50.31	53.66	11.81	21.06	-	13.39	15.75	21.14	7.87	-	295	418	330	-	G 1"	
14	3.27	3.43	20.98	11.22	-	57.28	65.39	59.88	58.31	13.78	22.05	-	13.39	23.62	28.50	7.87	-	319	473	405	321	G 1"	
16	3.74	3.90	23.62	12.68	-	61.97	70.83	66.93	62.99	15.75	27.48	-	13.39	15.75	28.50	7.87	-	409	572	488	411	G 1"	
18	3.74	3.90	25.39	13.86	-	73.82	80.67	72.09	72.20	17.72	30.35	-	17.72	15.75	28.50	9.84	-	504	700	576	535	G 1"	
20	4.76	4.92	27.76	15.87	-	77.24	85.83	77.24	79.33	19.69	31.54	-	17.72	19.69	28.78	9.84	-	695	880	814	704	G 1"	
24	4.76	4.92	32.48	17.60	-	88.58	91.46	90.20	87.95	23.62	33.90	-	24.80	23.62	31.30	9.84	-	1014	1302	1170	1065	G 1"	

Bigger sizes on request

B* = ring sleeve uncompressed

M = handwheel

MG = manual with gearbox

A = pneumatic

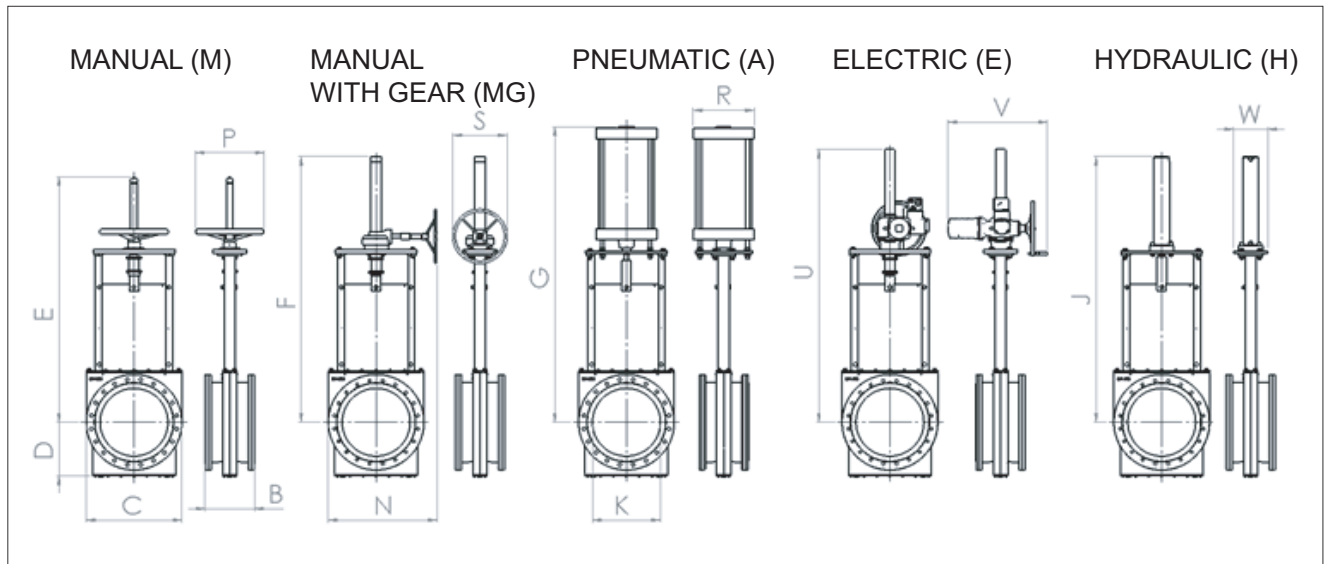
E = electric

H = hydraulic

T = flushing connection

Manual and electric valve stems are covered by bellows.

Dimensions, SKF valves



Valve size DN	Dimensions in mm																Weight (kg)					T
	B	B*	C	D	E	F	G	J	U	K	N	P	R	S	V	W	M	MG	A	E	H	
					M	MG	A	H	E		MG	M	A	MG	E	H	M	MG	A	E	H	
80	175	179	200	112	628	-	683	-	739	80	-	350	110	-	513	-	32	-	31	57	-	G 1/2"
100	175	179	230	132	648	-	725	-	751	100	-	350	120	200	513	-	39	-	41	64	-	G 1/2"
150	178	182	285	157	921	-	972	-	879	150	-	350	176	200	513	150	41	-	66	80	-	G 1/2"
200	184	188	346	188	1006	1148	1115	988	972	200	427	350	220	200	513	150	85	-	100	108	-	G 1/2"
250	226	230	410	223	-	1164	1316	1168	1150	250	459	-	284	200	537	180	-	-	143	142	-	G 1/2"
300	257	261	483	262	1133	1380	1512	1278	1363	300	535	-	340	400	537	200	-	187	253	203	-	G 1"
350	257	261	533	285	-	1455	1661	1521	1481	350	560	-	340	600	724	200	-	215	282	252	216	G 1"
400	279	283	600	322	-	1574	1799	1700	1600	400	698	-	340	400	724	200	-	284	349	320	285	G 1"
450	311	315	645	352	-	1875	2049	1831	1834	450	771	-	450	400	724	250	-	335	420	368	344	G 1"
500	359	363	705	403	-	1962	2180	1962	2015	500	801	-	450	500	731	250	-	447	527	501	451	G 1"
600	372	376	825	447	-	2250	2323	2291	2234	600	861	-	-	600	795	250	-	629	-	700	652	G 1"
700	378	410	1200	578	-	-	-	2975	2988	700	-	-	-	-	795	325	-	-	-	-	-	G1"
750	396	420	1200	578	-	-	-	3025	3054	750	-	-	-	-	795	325	-	-	-	-	-	G1"
800	412	436	1420	607	-	-	-	3200	3161	800	-	-	-	-	795	325	-	-	-	-	-	G1 1/2"

Valve size inch	Dimensions in inch																Weight in lbs					T
	B	B*	C	D	E	F	G	J	U	K	N	P	R	S	V	W	M	MG	A	E	H	
					M	MG	A	H	E		MG	M	A	MG	E	H	M	MG	A	E	H	
3	6.89	7.05	7.87	4.41	24.72	-	26.89	-	29.09	3.15	-	13.78	4.33	-	20.20	-	70	-	68	125	-	G 1/2"
4	6.89	7.05	9.06	5.20	25.51	-	28.54	-	29.57	3.94	-	13.78	4.72	7.87	20.20	-	86	-	90	141	-	G 1/2"
6	7.01	7.17	11.22	6.18	36.26	-	38.27	-	34.61	5.91	-	13.78	6.93	7.87	20.20	5.91	90	-	145	176	-	G 1/2"
8	7.24	7.40	13.62	7.40	39.61	45.20	43.90	38.90	38.27	7.87	16.81	13.78	8.66	7.87	20.20	5.91	187	-	220	238	-	G 1/2"
10	8.90	9.06	16.14	8.78	44.61	45.83	51.81	45.98	45.28	9.84	18.07	-	11.18	7.87	21.14	7.09	-	-	315	312	-	G 1/2"
12	10.12	10.28	19.02	10.31	-	54.33	59.53	50.31	53.66	11.81	21.06	-	13.39	15.75	21.14	7.87	-	411	557	447	-	G 1"
14	10.12	10.28	20.98	11.22	-	57.28	65.39	59.88	58.31	13.78	22.05	-	13.39	23.62	28.50	7.87	-	473	620	554	475	G 1"
16	10.98	11.14	23.62	12.68	-	61.97	70.83	66.93	62.99	15.75	27.48	-	13.39	15.75	28.50	7.87	-	625	768	704	627	G 1"
18	12.24	12.40	25.39	13.86	-	73.82	80.67	72.09	72.20	17.72	30.35	-	17.72	15.75	28.50	9.84	-	737	924	810	757	G 1"
20	14.13	14.29	27.76	15.87	-	77.24	85.83	77.24	79.33	19.69	31.54	-	17.72	19.69	28.78	9.84	-	983	1159	1102	992	G 1"
24	14.65	14.80	32.48	17.60	-	88.58	91.46	90.20	87.95	23.62	33.90	-	-	23.62	31.30	9.84	-	1384	-	1540	1434	G 1"
28	14.88	16.14	47.24	22.76	-	-	-	117.13	117.64	27.56	-	-	-	-	31.30	12.80	-	-	-	-	-	G1"
30	15.59	16.54	47.24	22.76	-	-	-	119.09	120.24	29.53	-	-	-	-	31.30	12.80	-	-	-	-	-	G1"
32	16.22	17.17	55.91	23.90	-	-	-	125.98	124.45	31.50	-	-	-	-	31.30	12.80	-	-	-	-	-	G1 1/2"

Bigger sizes on request

B* = ring sleeve uncompressed

M = handwheel

MG = manual with gearbox

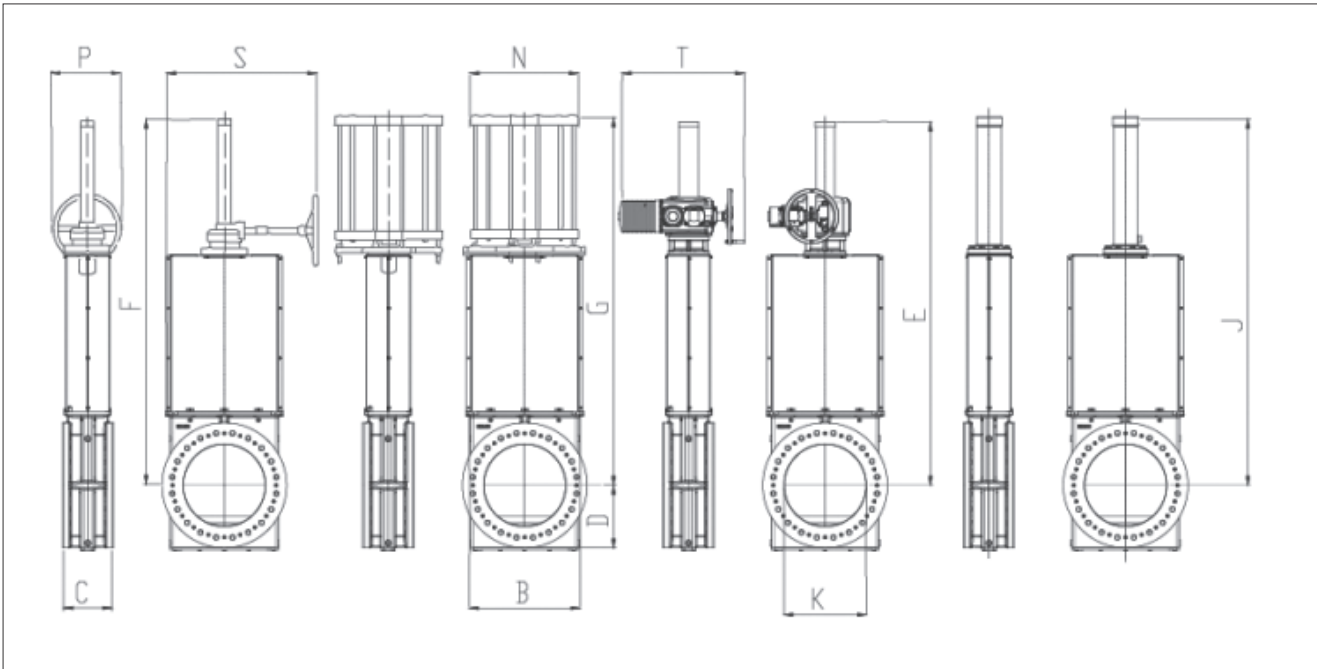
A = pneumatic

E = electric

H = hydraulic

T = flushing connection

Manual and electric valve stems are covered by bellows.

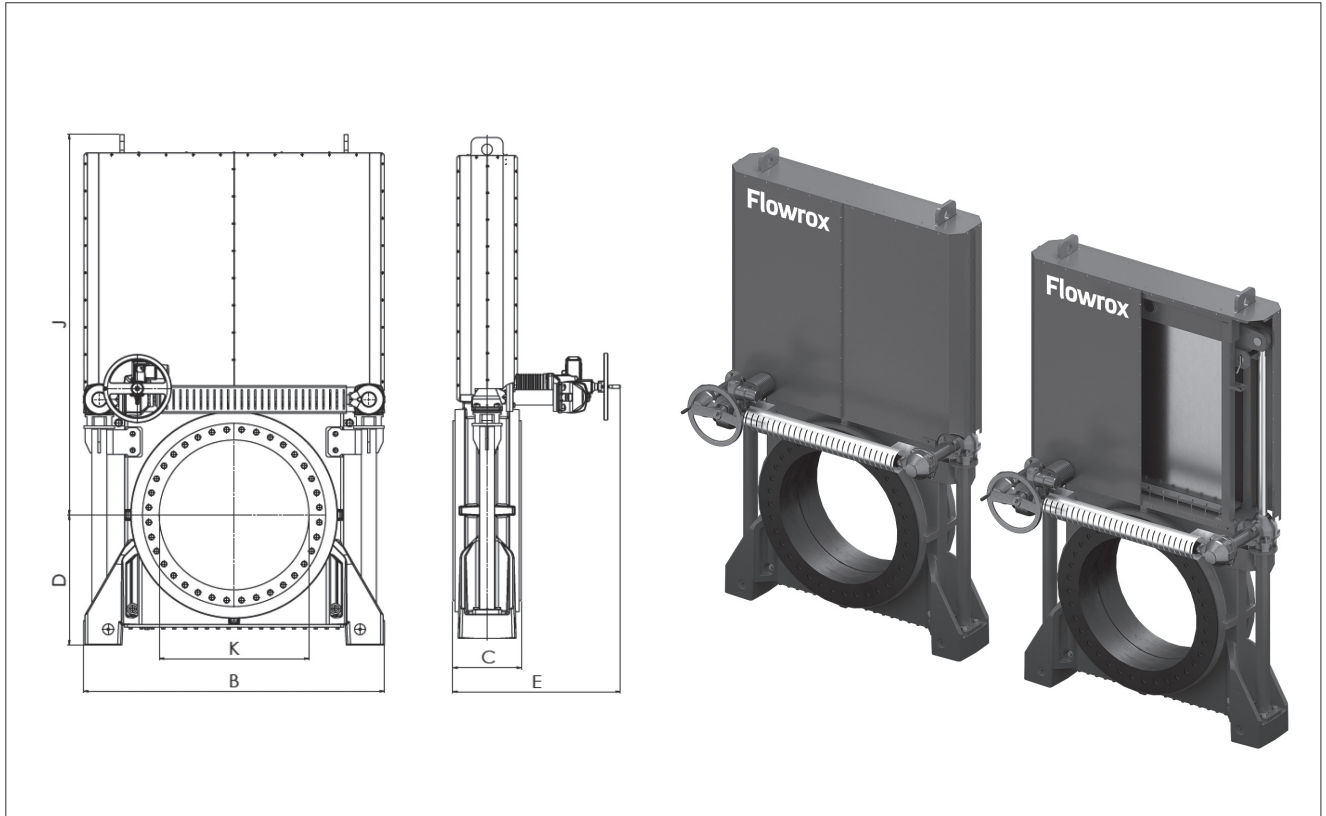


Valve size (DN)	B	C	D	E		G	J		K	N	P	S	T	Weight (kg)			
				E	MG	A	H		A	MG		E	E	MG	A	H	
80	245	175	110	990	813	872	757	80	183	300	410	513	57	55	54	46	
100	245	181	130	1051	875	1023	869	100	236	300	410	513	67	65	72	59	
150	315	184	160	1173	1047	1252	1041	150	270	500	445	513	108	120	128	96	
200	375	184	185	1335	1240	1450	1242	200	340	500	475	537	150	160	194	135	
250	480	226	220	1475	1390	1656	1423	250	450	500	528	724	256	252	332	230	
300	540	242	255	1642	1506	1592	1557	300	610	600	563	724	322	345	457	296	
350	880	251	385	2090	2057	2036	1992	350	600	400	886	731	855	805	1055	820	
400	930	286	410	2240	2158	2214	2132	400	710	400	910	795	1035	970	1345	975	
450	1070	311	465	2335	2253	2359	2277	450	710	400	1081	795	1345	1280	1685	1285	
500	1120	373	480	2420	2417	2461	2412	500	812	400	1129	795	1680	1640	2055	1615	
600	1270	373	550	2734	2708	2752	2772	600	812	400	1204	919	2130	2100	2565	2140	

Valve size NPS	B	C	D	E		G	J		K	N	P	S	T	Weight (lbs)			
				E	MG	A	H		A	MG		E	E	MG	A	H	
3	9.6	6.9	4.3	39	32	34.3	29.8	3.1	7.2	11.8	16.1	20.2	126	121	119	101	
4	9.6	7.1	5.1	41.4	34.4	40.3	34.2	3.9	9.3	11.8	16.1	20.2	148	143	159	130	
6	12.4	7.2	6.3	46.2	41.2	49.3	41	5.9	10.6	19.7	17.5	20.2	238	265	282	212	
8	14.8	7.2	7.3	52.6	48.8	57.1	48.9	7.9	13.4	19.7	18.7	21.1	331	353	428	298	
10	18.9	8.9	8.7	58.1	54.7	65.2	56	9.8	17.7	19.7	20.8	28.5	564	556	732	507	
12	21.3	9.5	10	64.6	59.3	62.7	61.3	11.8	24	23.6	22.2	28.5	710	761	1008	653	
14	34.6	9.9	15.2	82.3	81	80.2	78.4	13.8	23.6	15.7	34.9	28.8	1885	1775	2326	1808	
16	36.6	11.3	16.1	88.2	85	87.2	83.9	15.7	28	15.7	35.8	31.3	2282	2138	2965	2149	
18	42.1	12.2	18.3	91.9	88.7	92.9	89.6	17.7	28	15.7	42.6	31.3	2965	2822	3715	2833	
20	44.1	14.7	18.9	95.3	95.2	96.9	95	19.7	32	15.7	44.4	31.3	3704	3616	4530	3560	
24	50	14.7	21.7	107.6	106.6	108.3	109.1	23.6	32	15.7	47.4	36.2	4696	4630	5655	4718	

Dimensions for twin-tower design SKF

Electric (E)

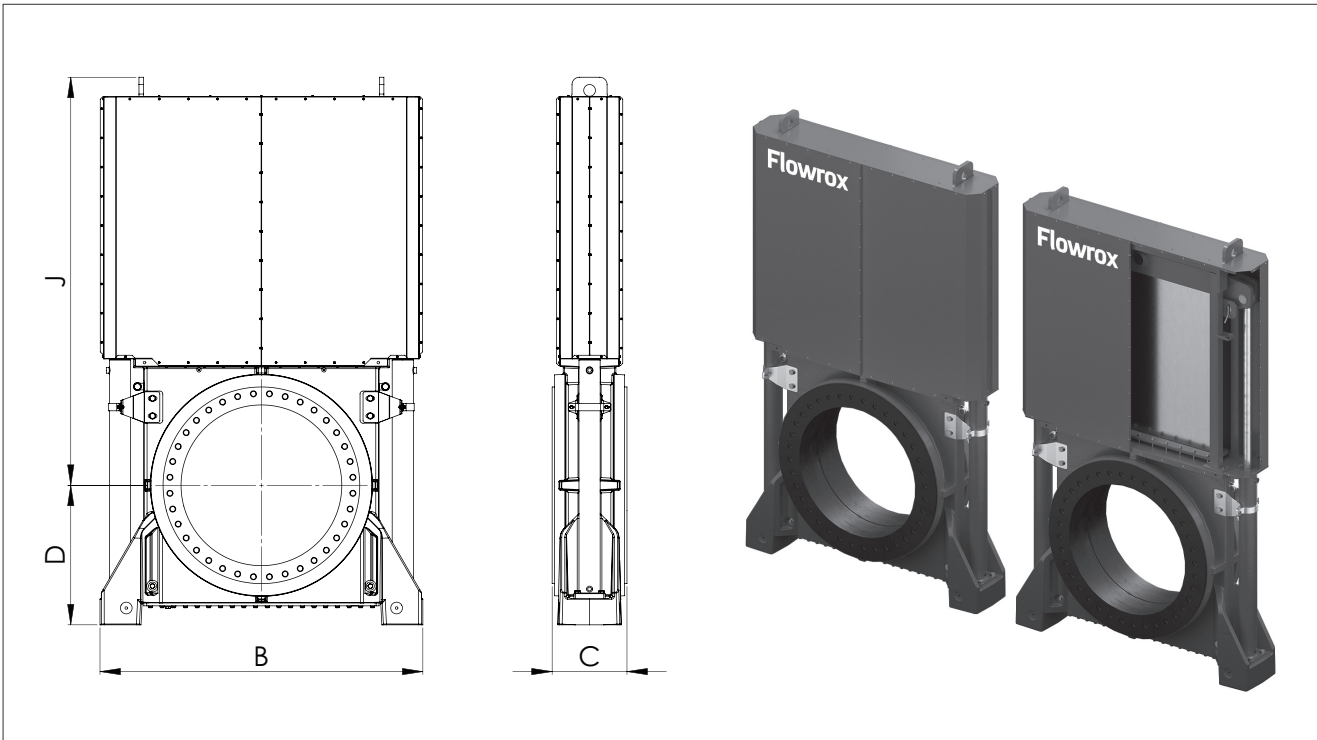


Valve size (DN)	B	C	D	E	J	K	Pressure (bar)	Weight (kg)
900	1850	469	805	985	x	900	10	x
1000	2060	512	880	1020	x	1000	6	x
1050	2060	512	880	1020	2482	1050	6	x
1200	2210	512	995	1020	2783	1200	6	~4550
1350	2360	512	1030	1125	3027	1350	4	~5200
1500	2510	512	1105	1125	3272	1500	4	~5600

Valve size (NPS)	B	C	D	E	J	K	Pressure	Weight
36	74	19	32	39	x	36	150	x
40	82	20	35	41	x	40	90	x
42	82	20	35	41	99	42	90	x
48	88	20	40	41	111	48	90	~10031
54	94	20	41	45	121	54	60	~11464
60	100	20	44	45	131	60	60	~12346

Flange drilling PN10 and ASME B16.5 class 150, others on request. Dimensions and weight are for guidance only – detailed drawings available on request. All dimensions in millimeters.

Hydraulic (H)



Valve size (DN)	B	C	D	J	K	Pressure (bar)	Weight (kg)
900	1850	469	805	x	900	10	x
1000	2060	512	880	x	1000	6	x
1050	2060	512	880	2482	1050	6	x
1200	2210	512	995	2783	1200	6	~4400
1350	2360	512	1030	3027	1350	4	~5000
1500	2510	512	1105	3272	1500	4	~5500

Valve size (NPS)	B	C	D	J	K	Pressure	Weight
36	74	19	32	x	36	150	x
40	82	20	35	x	40	90	x
42	82	20	35	99	42	90	x
48	88	20	40	111	48	90	~9700
54	94	20	41	121	54	60	~11023
60	100	20	44	131	60	60	~12125

Flange drilling PN10 and ASME B16.5 class 150, others on request. Dimensions and weight are for guidance only – detailed drawings available on request. All dimensions in millimeters.

Type code

1.	2.	3.	4.	5.	6.	7.	8.	9.	10.	11.
SKW	0100	B010	J	00	S1	N	C	B	A	A

SKW0100B010J00S1NCBAA

1. Sign	VALVE SERIES
SKW	Flowrox heavy duty wafer knife gate valve.
SKF	Flowrox heavy duty flanged knife gate valve.
SKH	Flowrox heavy duty high pressure knife gate valve.

2. Sign	BODY SIZE	
0050	DN 50	2"
0080	DN80	3"
0100	DN100	4"
0125	DN125	5"
0150	DN150	6"
0200	DN200	8"
0250	DN250	10"
0300	DN300	12"
0350	DN350	14"
0400	DN400	16"
0450	DN450	18"
0500	DN500	20"
0600	DN600	24"
0650	DN650	26"
0700	DN700	28"
0750	DN750	30"
0800	DN800	32"
0900	DN900	36"
1000	DN1000	40"
1100	DN1100	44"
1200	DN1200	48"
1350	DN1350	54"
1400	DN1400	56"
1500	DN1500	60"

3. Sign	WORKING PRESSURE
B004	4 bar
B006	6 bar
B007	7 BAR (Only AS Table D and BS Table D)
B010	10 bar
B014	14 BAR (Only AS Table E and BS Table E)
B020	20 bar

4. Sign	FLANGE DRILLING
J	PN 10 EN 1092
K	PN 16 EN 1092
L	PN 25 EN 1092
M	PN 40 EN 1092
C	ANSI 150 (ASME B16.5)
D	ANSI 300 (ASME B16.5)
B	BS TABLE D
A	AS TABLE D
E	AS TABLE E
R	JIS 10K
S	JIS 16K
Y	OTHER

5. Sign	BODY MATERIAL
00	Grey Cast iron EN 1561-GJL-250
01	Ductile Iron EN 1563-GJS-450
02	AISI 316 (EN 1.4408 /A351 CF8M)
08	Ductile Iron EN 1563-GJS-500
0Y	Other

6. Sign	GATE MATERIAL
S1	AISI 316
S2	Duplex 2205
S3	Duplex 2101
S4	17-4PH*
S5	ALLOY C-276
S6	DUPLEX 2507
S7	AISI 316L
S8	AISI 904L

7. Sign	GATE COATING
N	NONE

8. Sign	RING SLEEVE / SEAT
C	NR Natural rubber
B	EPDM Ethylene Propylene
D	NBR Nitrile

9. Sign	SECONDARY SEAL
B	EPDM Ethylene propylene
T	PTFE gland packing (SKF700-1500 and SKH series)

10. Sign	BOLT MATERIAL
A	FEZN (Standard)
C	Stainless steel, A4

11. Sign	FLANGE FACING
A	Standard EN 1092-1/A Flat Face
B	EN 1092-1/B1 Raised Face (Only SKH series)
R	ASME B16.5 RF, Raised Face (Only SKH series)

Flowrox™ valves manual actuator type code

1.	2.	3.	4.	5.	6.	7.	8.	9.
FXMH	9	1	PV6	/	0100	S	250	N

FXMH91PV6/0100S250N

1. Sign	ACTUATOR SERIES
FXMH	Flowrox Manual actuator with direct handwheel
FXMC	Manual with chainwheel

2. Sign	HOUSING MATERIAL/ATTACHMENT FRAME
2	AISI 316
3	Aluminum, Painted (ONLY PV & PVE DN40-150)
4	Mild steel, painted
9	Not applicable (For PVEG, PVG series only)

3. Sign	STEM MATERIAL
1	Mild steel
2	AISI 316
3	AISI 304
Y	Other

4. Sign	MOUNTING FACE
PV1	PV
PV2	PVE
PV3	PVE/S
PV4	PVS
PV5	PVEG
PV6	PVG
SK1	SKF/SKW (DN50-250)

6. Sign	VALVE SIZE
0025	0025, 0032, 0040, 0050, 0065, 0080, 0100, 0125, 0150, 0250, 0300, 0350, 0400, 0450, 0500, 0600

7. Sign	BUSHINGS
A	Stainless steel (AISI 316)
B	Brass (PVEG-series)
C	Carbon Steel (PVG-series)
E	PE-1000-AST – 50 °C to 80 °C (For Ex-areas)
H	High temperature (PA6G 30F) – 30 °C to 120 °C
N	Not applicable
S	PE-1000 – 50 °C to 80 °C
Y	Other

8. Sign	HANDWHEEL SIZE
150	Direct handwheel Diameter 150 mm.
175	Direct handwheel Diameter 175 mm.
200	Direct handwheel Diameter 200 mm.
220	For chainwheel 220 outer diameter.
225	Direct handwheel Diameter 225 mm.
250	Direct handwheel Diameter 250 mm.
320	Direct handwheel Diameter 320 mm.
390	For chainwheel D393-394 outer diameter.
400	Direct handwheel Diameter 400 mm.
600	Direct handwheel Diameter 600 mm.
660	For chainwheel D660 outer diameter.
800	Direct handwheel Diameter 800 mm.
YYY	Other

9. Sign	BOLT MATERIAL
A	FEZN (Standard)
C	Stainless steel, A4
N	Not applicable (For PVEG, PVG series only)

10. Sign	SPECIAL FEATURES
-	Blank
Y	Other

Flowrox™ valves pneumatic actuator type code

1.	2.	3.	4.	5.	6.	7.	8.	9.	10.	11.	12.	13.	14.	15.	16.
FXA	S	2	F	S080	A	0100			/	S	1	PV1	/	M	N

FXAS2FS080A0100/S1PV1/MN

1. Sign	ACTUATOR SERIES
FXA	Flowrox Pneumatic actuator

8. Sign	SEPARATOR
/	Used only for REDUCED BORE pinch valves.

2. Sign	APPLICATION
C	For Control duty
S	Shut-Off, for On/Off duty

9. Sign	REDUCED STROKE
0080	0025, 0032, 0040, 0050, 0065, 0080, 0100, 0125, 0150, 0250, 0300, 0350, 0400, 0450, 0500, 0600, 0700, 0750, 0800, 0900, 1000, 1100, 1200, 1300, 1350, 1400, 1500
-	Blank

3. Sign	CYLINDER ACTION
1	Single acting, Spring to close
2	Double acting
3	Single acting, Spring to open

10. Sign	SEPARATOR
/	Used only for REDUCED BORE pinch valves.

4. Sign	MODEL (Selected by Valmet Flow Control.)
A	Model A
F	Model F
Y	Other model

11. Sign	SEAL OPTION
S	Standard temperature (NBR) -20...+80 °C
H	High temperature -20...+120 °C
C	Cold temperature -40...+60 °C
A	Arctic temperature -50...+60 °C

5. Sign	CYLINDER SIZE
S080	ø80 mm
S100	ø100 mm
S125	ø125 mm
S160	ø160 mm
S200	ø200 mm
S250	ø250 mm
T250	øT250 mm (Tandem)
S320	ø320 mm
T320	øT320 mm (Tandem)
S400	ø400 mm
S500	ø500 mm
S508	ø508 mm
S600	ø600 mm
S609	ø609 mm
S700	ø700 mm

12. Sign	CYLINDER MATERIAL
1	Standard (Aluminum barrel/ Steel Chrome coated piston rod)
2	Aluminum barrel (painted) + AISI 316 piston rod
3	AISI 316 (No painting)
4	Fibreglass barrel & Aluminum flanges
Y	Other

6. Sign	DESIGN
A	Standard
B	Double piston rod for Manual override.
F	Integrated positioner (FESTO DFPI-...-C1V-NB3)

13. Sign	MOUNTING FACE
PV1	PV AND PVE
PV3	PVE/S
PV4	PVS
PV5	PVEG
PV6	PVG
SK1	SKF & SKW
SK2	SKH

7. Sign	STROKE
0100	0025, 0032, 0040, 0050, 0065, 0080, 0100, 0125, 0150, 0250, 0300, 0350, 0400, 0450, 0500, 0600, 0700, 0750, 0800, 0900, 1000, 1100, 1200, 1300, 1350, 1400, 1500

14. Sign	SEPARATOR
/	

15. Sign	MAGNETIC PISTON FEATURE
M	Magnetic piston (YES)
N	No

16. Sign	INTEGRATED AIR TANK
N	None

Flowrox™ valves hydraulic actuator type code

1.	2.	3.	4.	5.	6.	7.	8.	9.	10.	11.
FXH	2	H	100	A	0150	/	100	S	1	PV1

FXH2H100A0150/100S1PV1

1. Sign	ACTUATOR SERIES
FXH	Flowrox hydraulic actuator

2. Sign	CYLINDER ACTION
2	Double acting

3. Sign	MODEL
H	Model H
Y	Other

4. Sign	CYLINDER SIZE
040	ø40 mm
050	ø50 mm
063	ø63 mm
080	ø80 mm
100	ø100 mm
125	ø125 mm
160	ø160 mm
200	ø200 mm
250	ø250 mm
320	ø320 mm
YYY	Other

5. Sign	DESIGN
A	Standard
B	Integrated solenoid valve(Normally Open) 24 VDC
C	Integrated solenoid valve(Normally Open) 110/120 VAC
D	Integrated solenoid valve(Normally Open) 230 VAC
E	Integrated solenoid valve(Normally Closed) 24 VDC
F	Integrated solenoid valve(Normally Closed) 110/120 VAC
G	Integrated solenoid valve(Normally Closed) 230 VAC
H	Integrated solenoid valve(Fail Last) 24 VDC
J	Integrated solenoid valve(Fail Last) 110/120 VAC
K	Integrated solenoid valve(Fail Last) 230 VAC
P	Integrated positioner (ONLY FOR CONTROL VALVES)
Y	Other

6. Sign	STROKE
0100	0025, 0032, 0040, 0050, 0065, 0080, 0100, 0125, 0150, 0250, 0300, 0350, 0400, 0450, 0500, 0600, 0700, 0750, 0800, 0900, 1000, 1100, 1200, 1300, 1350, 1400, 1500

7. Sign	SEPARATOR
/	Only if reduced port valve required (CONTROL VALVES ONLY)
-	Blank

8. Sign	REDUCED STROKE
0080	0025, 0032, 0040, 0050, 0065, 0080, 0100, 0125, 0150, 0250, 0300, 0350, 0400, 0450, 0500, 0600, 0700, 0750, 0800, 0900, 1000, 1100, 1200, 1300, 1350, 1400, 1500

9. Sign	SEAL OPTION
H	High temperature (Viton) -15...200 °C
S	Standard temperature (NBR) -30...+90 °C (Standard option)

10. Sign	CYLINDER MATERIAL
1	Standard Steel flanges and barrel, Chrome coated piston rod
2	Standard Steel flanges and barrel, AISI 316 piston rod
Y	Other

11. Sign	MOUNTING FACE
PV1	PV AND PVE
PV3	PVE/S
PV4	PVS
SK1	SKF & SKW
SK2	SKH

Valmet Flow Control Oy

Marssitie 1, 53600 Lappeenranta, Finland.

Tel. +358 10 417 5000.

www.valmet.com/flowcontrol

Subject to change without prior notice.

Neles, Neles Easyflow, Jamesbury, Stonel, Valvcon and Flowrox, and certain other trademarks, are either registered trademarks or trademarks of Valmet Oyj or its subsidiaries in the United States and/or in other countries.

For more information www.neles.com/trademarks

